

Bypass Humidifiers

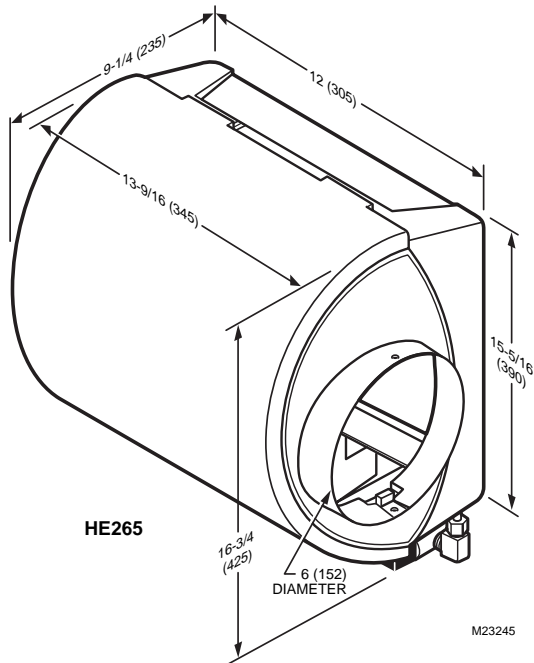
HE225; HE265 Bypass Flow-through Humidifier



Bypass Flow-through Humidifiers use the warm air furnace blower to provide whole house humidification.

- Humidifier pad is coated with AGION antimicrobial agent
- Preassembled for quicker installation
- Small footprint, light weight and reversible components allow for easy mounting on either warm air supply or cold air return of any forced air furnace
- Interior components designed for quick maintenance and service
- Option of automatic humidity control or standard humidistat
- Standard tested per ARI Standard 610

Dimensions in inches (millimeters)



Type: Evaporative Flow-Through

Dimensions, Approximate: 13 9/16 in. high x 12 in. wide x 9 1/8 in. deep (345 mm high x 305 mm wide x 232 mm deep)

Color: White and Blue

Mounting: Duct mount

Voltage: 24 Vac

Frequency: 60 Hz

Electrical Ratings: 0.5A

Approvals

Underwriters Laboratories, Inc: UL/cUL Listed Report E185662

Product Number	Capacity (per day)		Plenum Opening		Mounting	Includes
	gallons	liters	(inch)	(mm)		
HE225H8908/U	12 gal. per day	46 L per day	9 7/16 in. high x 9 5/18 in. wide	241 mm high x 238 mm wide	Duct or Remote Mount (up to 20 feet/6 meters)	Humidifier, summer shut-off damper humidifier pad, mounting template, self-piercing saddle valve 24 Vac transformer and wire, H8908 humidistat
HE265H8908/U	17 gal. per day	64 L per day	12 5/8 in. high x 9 3/4 in. wide	321 mm high x 248 mm wide	Duct or Remote Mount (up to 20 feet/6 meters)	Humidifier, summer shut-off damper humidifier pad, mounting template, self-piercing saddle valve 24 Vac transformer and wire, H8908 humidistat
HE225A1014/U	12 gal. per day	46 L per day	9 7/16 in. high x 9 5/18 in. wide	241 mm high x 238 mm wide	Duct mount	Humidifier, summer shut-off damper humidifier pad, mounting template, self-piercing saddle valve 24 Vac transformer and wire, H8908 humidistat, and bypass installation materials
HE265A1234/U	17 gal. per day	64 L per day	12 5/8 in. high x 9 3/4 in. wide	321 mm high x 248 mm wide	Duct mount	Humidifier, summer shut-off damper humidifier pad, mounting template, self-piercing saddle valve 24 Vac transformer and wire, H8908 humidistat, and bypass installation materials